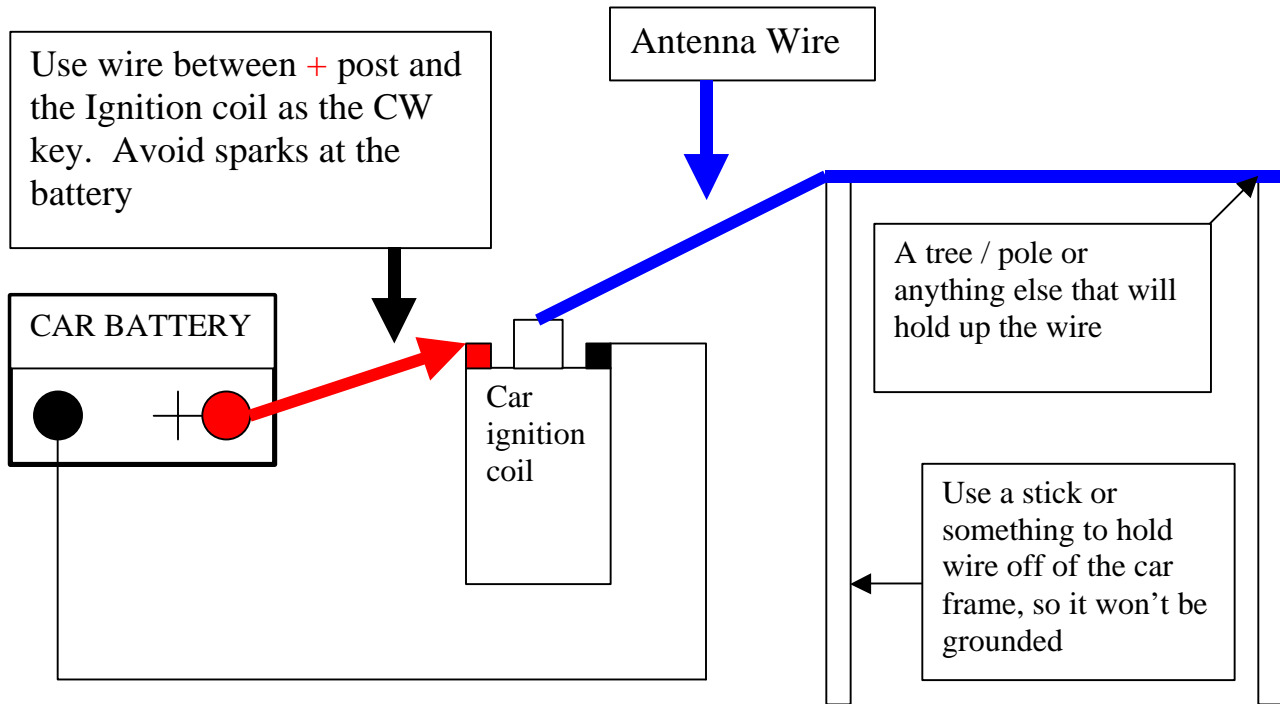


EMERGENCY CW



Warnings: Disconnect wires from ignition coil and ensure Ignition switch is turned off. Ensure that flammable or explosive liquid and/or vapors are not present! Avoid sparks at the battery! Secondary voltage may be higher than 20 KV, maintain a safe distance between antenna and conductive objects! Avoid grounding or shorting battery!